

SeaStar Solutions Products

Field Hub Kit (Pull Only Field Hub)

Part Number: 300673

Used On: 30L Cables

Installation

1. Make sure the conduit is the proper length.

CAUTION!

If trying to shorten the cable, remove the core from the area of the conduit that is to be cut. Failure to do this will result in a core that could be too short. When replacing the core, wipe clean before inserting into conduit to improve efficiency.

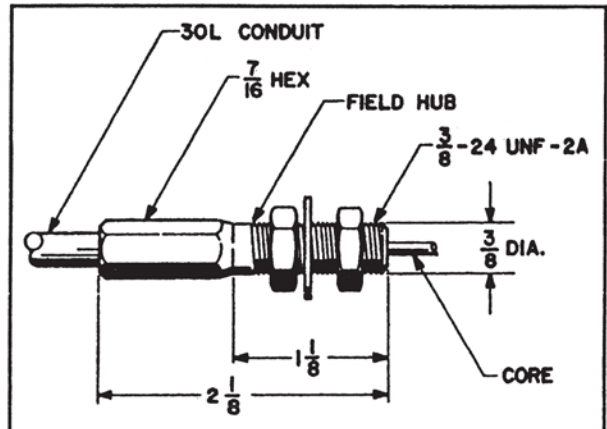
2. Mark the conduit 1.00 inch from the end with masking tape.
3. Screw field hub onto conduit until hub reaches the 1.00 inch mark, or until the hub can no longer be turned by hand.

CAUTION!

Hub must cover at least 3/4 inch of the conduit to be properly attached.

NOTE!

This is a pull-only hub. Repeated push application will cause the hub to pull-off of the conduit. With hub and conduit separated at the output end, a push force at the input end may be applied and result in no apparent travel at the output end. Also, a loss of approximately one inch of travel may be experienced in the pull mode. Under no circumstance should this hub be used in a push-pull application.



Field Hub kit consists of:

1	Hub
2	Washer (1 ea.)
3	Nuts (2 ea.)



SEASTAR
SOLUTIONS®

640 North Lewis Road
Limerick, PA 19468 USA
610-495-7011
www.seastarsolutions.com