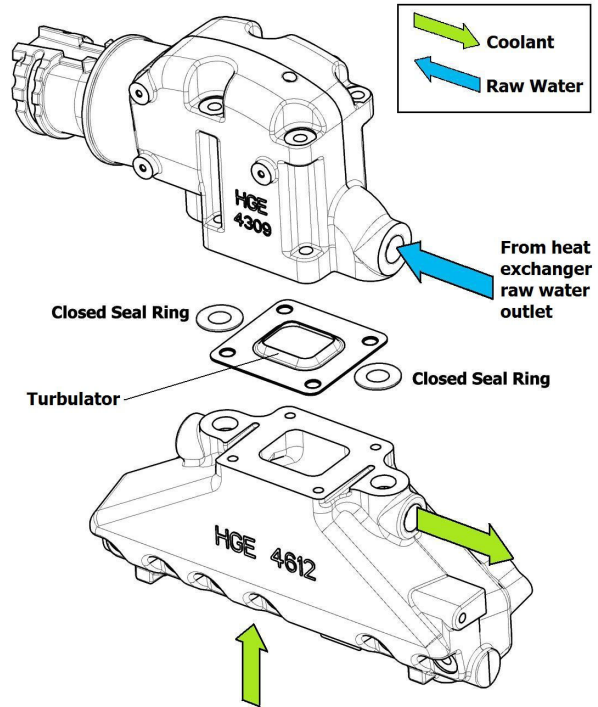


HGE Dry Joint Manifolds and Risers Gasket Application
(The setup is applicable to V6 and V8 engines.)

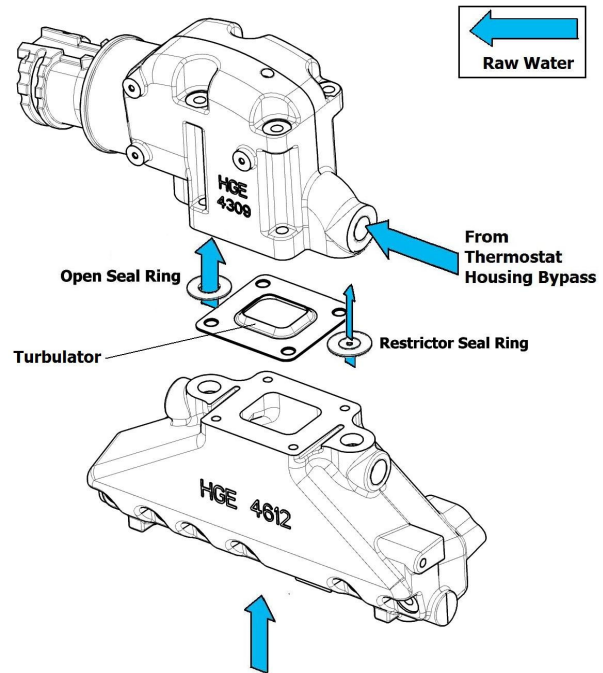
Freshwater Cooling Configuration

- a. Make sure the Turbulator is on the UP side facing the riser.**
- b. Use two closed seal rings cover the two water holes on the manifold.**



Raw Water Cooling Configuration I

- a. Make sure the Turbulator is on the UP side facing the riser.
- b. Put the open seal ring at the front of the riser and the restrictor seal ring at the rear of the riser.



Raw Water Cooling Configuration II **(Thermostat housing does not have bypass)**

- a. Make sure the Turbulator is on the UP side facing the riser.**
- b. Put the restrictor seal ring at the front of the riser and the open seal ring at the rear of the riser.**

